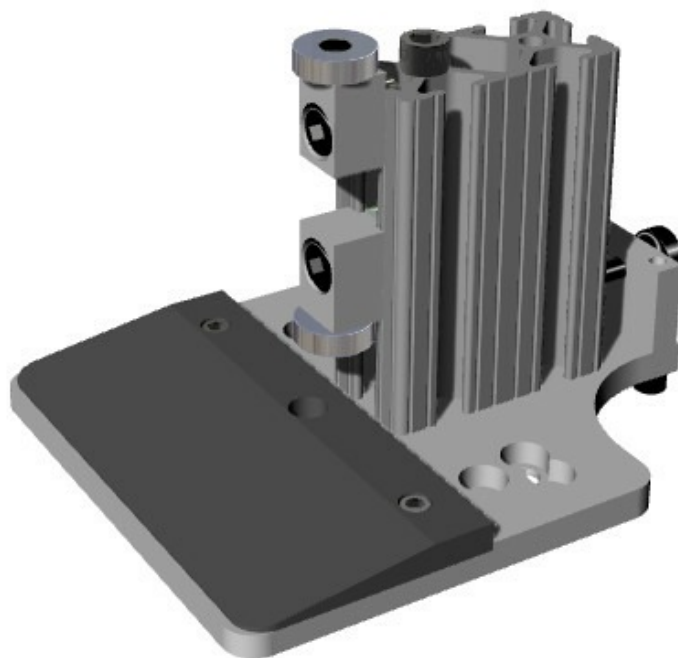
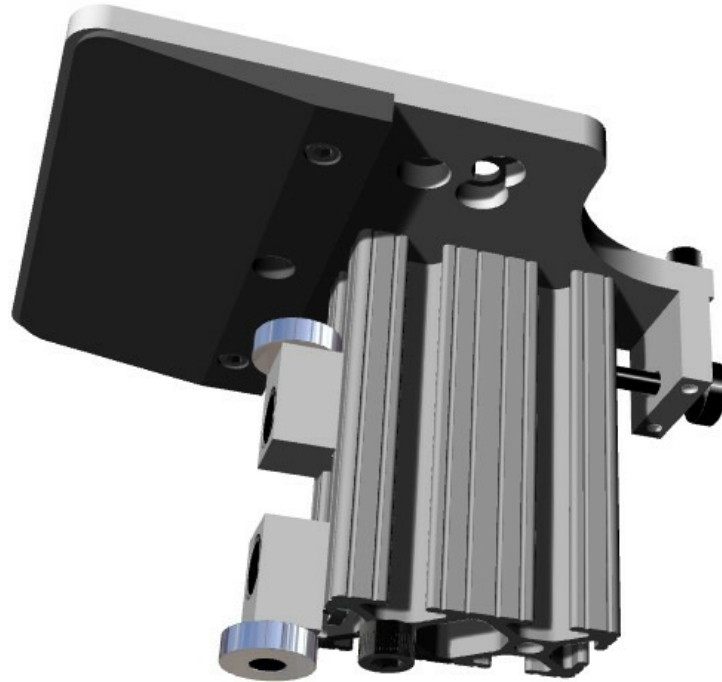
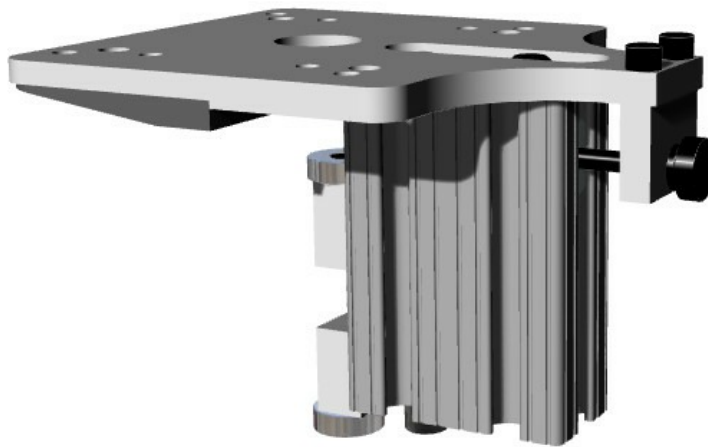


# HAND HELD BINDING CUTTER



## HAND HELD BINDING CUTTER

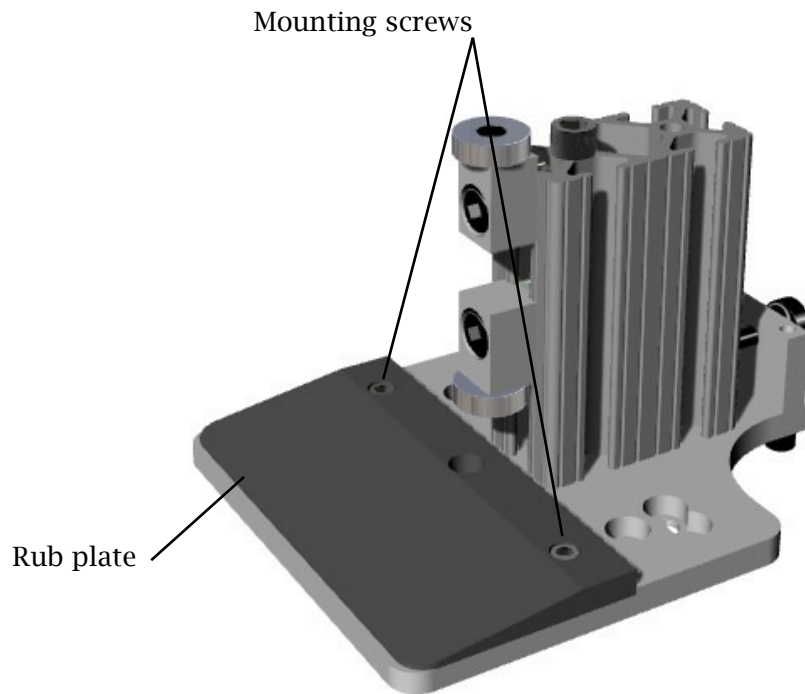
This tool is designed to fit on a Porter Cable Model 310 and 3701, DeWalt Model DW670 and Bosch COLT trim router, this combination will provide you with an easy way to accurately cut a binding rabbet on you instrument. Once the height is set the depth of the cut can be adjusted quickly. The two ball bearings on the handle keep the base snug to the sides of the instrument while the rub plate keeps the cutting bit perpendicular to the top or bottom. The rub plate is machined to a slight angle to accommodate curved top and bottom of the instrument.



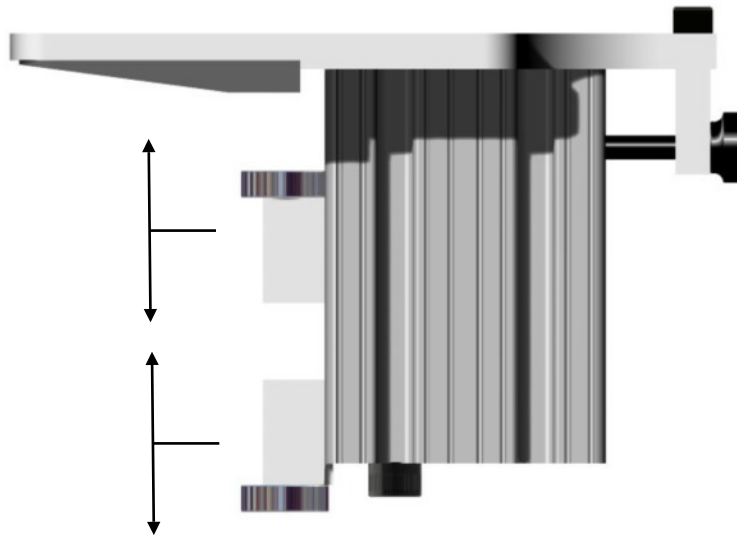
### S A F E T Y

1. **ALWAYS** wear safety glasses or a face shield.
2. **DO NOT** wear loose clothing, gloves, neckties, or jewelry. Wear protective cover on hair and prevent contact with moving tool. These items can get caught in tool during operation and pull operator into moving part.
3. **KEEP** children away.
4. **KEEP** visitors at a safe distance.
5. **WEAR** a dust mask all times.
6. **ALWAYS** turn off motor before making any adjustments.
7. **NEVER** leave running tool unattended.
8. **ALWAYS** make sure all screws are tight and any hardware is removed from or near tool before starting.
9. **SECURE** all work pieces before starting.
10. **ALWAYS** keep cutters bit sharp.
11. **ALWAYS** keep work area clean.
12. **DO NOT** operate tool if under the influence of drugs or alcohol.

## SET UP



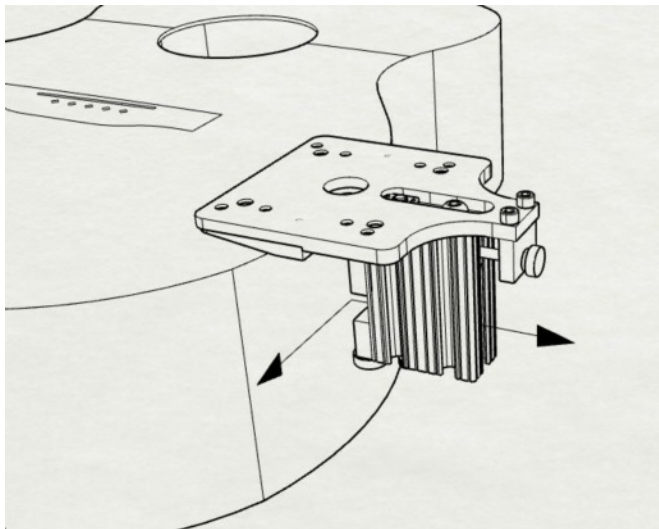
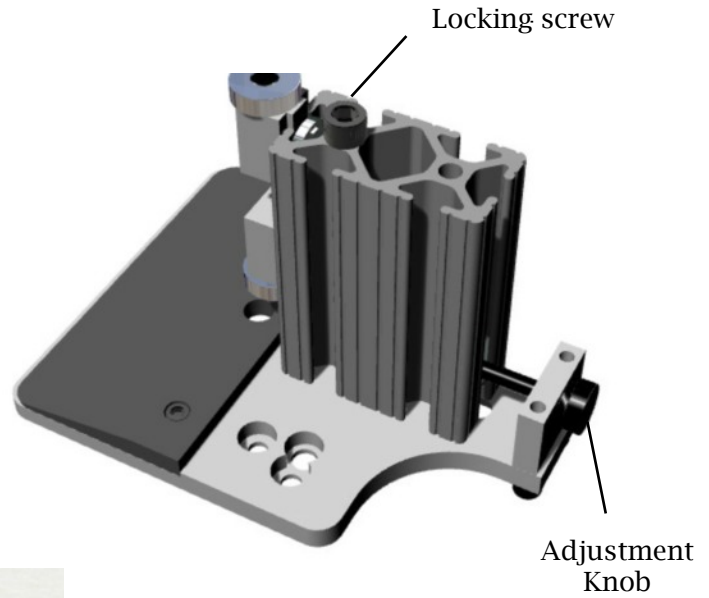
Remove the two rub plate mounting screws, install the trim router to the base (make sure to remove the plastic rub plate that comes with the router before attaching to base). Make sure to align the trim router center to the center of the rub plate hole before tightening. Re-attach the rub plate.



Loosen the bearing screws and adjust bearing up or down accordingly.

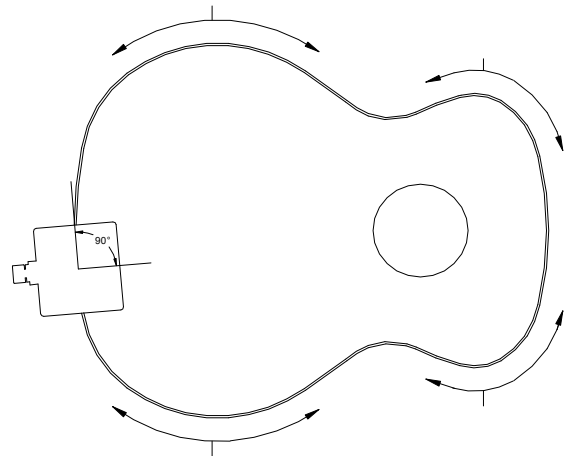
## OPERATION

The adjustment knob is one of the key features of this tool, each turn Exposes more of the router bit. After the adjustment has been made tighten the locking screw which will lock the handle in place.



When moving the router over the entire instrument, make sure that the handle moves perpendicular to the sides maintaining light even pressure to the handle so that *both bearings always touch the surface at all times*. It is also important that the instrument is clamped securely to your work bench while routing out the wood for the bindings. You will be able to know when the cutting is complete by simply listening to the router bit, there is a difference in cutting sound and just running sound. Always use both hands when routing.

It is also recommended to move the router from bout to waist as show this will avoid tear out. Care should be taken when routing in the waist area, always take small cuts, move from one side to the other until the entire waist has been cut.



## O P E R A T I O N ( C o n t i n u e d )

To place the router onto the guitar hold the router at an angle as shown, place the lower bearing on the side, lower the router until the rub plate touches the top, then rotate toward guitar until the top bearing touches. Always make sure both bearings are touching the guitar. At this point reposition hand that is holding onto the router. To take the router off the guitar just reverse the procedure.



One hand should be holding the binding base handle as shown, the other hand should hold the router base and at the same time rest on the guitar, this will also give control of the router tipping inward. *Do not hold router at the top.* Then move the router as indicated previously from bout to waist in a smooth motion always keeping both bearings on the side of the guitar and hold the handle perpendicular to the side.